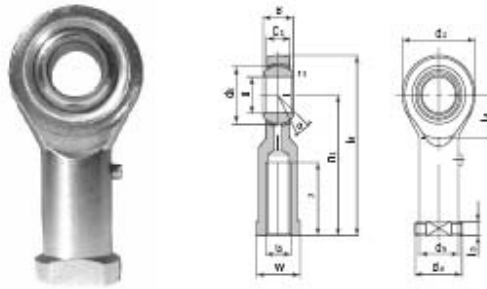


Rod End



SIBP

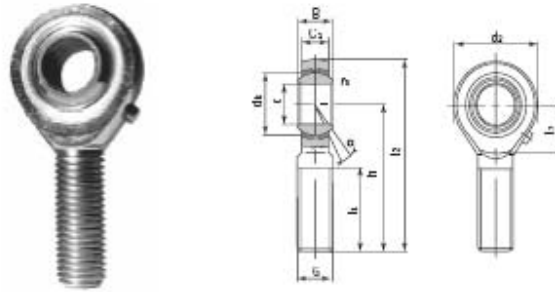
Bearing Number	Dimensions (mm)																Load Ratings kN		Weight ~kg
	d	B	dK	C1 Max	d2	G 6H	h1	l3 Min	l4	l5	l7	W	d3	d4	rs min	$\alpha^\circ \approx$	Dynamic	Static	
SIBP5S	5	8	11.112	6	16	M5	27	14	35	4	8	9	9	11	0.3	13	3.3	4.1	0.016
SIBP6S	6	9	12.7	6.75	18	M6	30	14	39	5	9	11	10	13	0.3	13	4.3	5.3	0.026
SIBP8S	8	12	15.88	9	22	M8	36	17	47	5	11	14	12.5	16	0.3	14	6.8	8.5	0.044
SIBP10S	10	14	19.05	10.5	26	M10	43	21	56	6.5	13	17	15	19	0.3	14	10	11	0.072
SIBP10S/B1	10	14	19.05	10.5	26	M10×1.25	43	21	56	6.5	13	17	15	19	0.3	14	10	11	0.072
SIBP12S	12	16	22.23	12	30	M12	50	24	65	6.5	15	19	17.5	22	0.3	13	13	14	0.108
SIBP12S/B2	12	16	22.23	12	30	M12×1.25	50	24	65	6.5	15	19	17.5	22	0.3	13	13	14	0.108
SIBP14S	14	19	25.4	13.5	34	M14	57	27	74	8	16	22	20	25	0.3	16	17	20	0.161
SIBP14S/B1	14	19	25.4	13.5	34	M14×1.5	57	27	74	8	16	22	20	25	0.3	16	17	20	0.161
SIBP16S	16	21	28.58	15	38	M16	64	33	83	8	17.5	22	22	27	0.3	15	21	25	0.225
SIBP16S/B1	16	21	28.58	15	38	M16×1.5	64	33	83	8	17.5	22	22	27	0.3	15	20	25	0.225
SIBP18S	18	23	31.75	16.5	42	M18×1.5	71	36	92	10	19.5	27	25	31	0.6	15	26	30	0.295
SIBP20S	20	25	34.93	18	46	M20×1.5	77	40	100	10	21.5	30	27.5	34	0.6	15	31	35	0.382
SIBP22S	22	28	38.1	20	50	M22×1.5	84	43	109	12	23	32	30	37	0.6	15	38	43	0.488
SIBP25S	25	31	42.86	22	60	M24×2	94	48	124	12	29.5	36	33.5	42	0.6	15	47	65	0.749
SIBP28S	28	35	47.63	25	66	M27×2	103	53	136	12	32.5	41	37	46	0.6	15	59	77	0.949
SIBP30S	30	37	50.8	25	70	M30×2	110	56	145	15	34	41	40	50	0.6	17	63	86	1.13

Can supply other rod ends with different pitch or accuracy of thread.

For left-hand thread suffix "L" is added to bearings number and thread sign e.g. SILBP20S M20×1.5L-6H.

The rod and inner ring of the bearings is of stainless steel and the mark of the items has a letter "X". That is SIBP...S/X.

Rod End



SABP

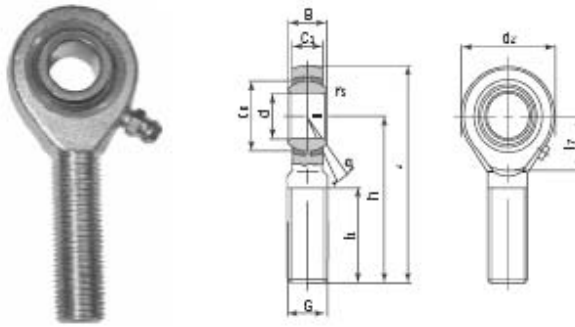
Bearing Number	Dimensions (mm)							Load Ratings kN						Weight ~kg	
	d	B	dk	C1 Max	d2	G 6G	h	l1 min	l2	l7	rs min	α°	Dynamic		Static
SABP5S	5	8	11.112	6	16	M5	33	20	41	—	0.3	13	3.3	3.9	0.016
SABP6S	6	9	12.7	6.75	18	M6	36	22	45	—	0.3	13	4.3	5.3	0.026
SABP8S	8	12	15.88	9	22	M8	42	25	53	—	0.3	14	6.8	8.5	0.044
SABP10S	10	14	19.05	10.5	26	M10	48	29	61	—	0.3	14	10	11	0.072
SABP10S-B1	10	14	19	10.5	26	M10 X 1.25	48	29	61	—	0.3	14	10	11	0.072
SABP12S	12	16	22.23	12	30	M12	54	33	69	—	0.3	13	13	14	0.108
SABP14S	14	19	25.4	13.5	34	M14	60	36	77	—	0.3	16	17	20	0.161
SABP16S	16	21	28.58	15	38	M16	66	40	85	—	0.3	15	21	25	0.225
SABP18S	18	23	31.75	16.5	42	M18×1.5	72	44	93	23	0.6	15	26	30	0.295
SABP20S	20	25	34.93	18	46	M20×1.5	78	47	101	25	0.6	15	31	35	0.382
SABP22S	22	28	38.1	20	50	M22×1.5	84	51	109	27	0.6	15	38	43	0.488
SABP25S	25	31	42.86	22	60	M24×2	94	57	124	29	0.6	15	47	65	0.749
SABP28S	28	35	47.63	25	66	M27×2	103	62	136	33	0.6	15	59	77	0.949
SABP30S	30	37	50.8	25	70	M30×2	110	66	145	39	0.6	17	63	86	1.13

Can supply other rod ends with different pitch or accuracy of thread.

For left-hand thread suffix "L" is added to bearings number and thread sign e.g. SILBP20S M20×1.5L-6H.

The rod and inner ring of the bearings is of stainless steel and the mark of the items has a letter "X". That is SIBP...S/X.

Rod End

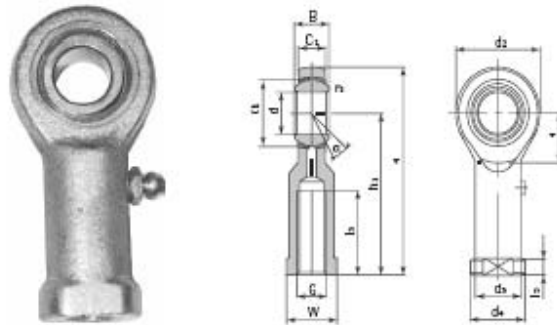


SAZP

Bearing Number	Dimensions (inch / mm)												Load Ratings kN		Weight ~kg
	d	B	dk	C1 Max	d2	G	h	l1 min	l2	l7	rs min	α°	Dynamic	Static	
SAZP4Z	0.19 4.83	0.312 7.92	0.437 11.1	0.25 6.35	0.625 15.88	10-32	1.25 31.75	0.75 19.05	1.563 39.7	—	0.012 0.3	10	3.4	3.8	0.013
SAZP6Z	0.25 6.35	0.375 9.53	0.5 12.7	0.281 7.14	0.75 19.05	1/4-28	1.562 39.67	1 25.4	1.937 49.2	—	0.012 0.3	13	4.5	6.6	0.022
SAZP7Z	0.3125 7.94	0.437 11.1	0.625 15.88	0.344 8.74	0.875 22.23	5/16-24	1.875 47.63	1.25 31.75	2.312 58.72	—	0.012 0.3	10	6.9	8.4	0.037
SAZP9Z	0.375 9.53	0.5 12.7	0.719 18.26	0.406 10.31	1 25.4	3/8-24	1.938 49.23	1.25 31.75	2.438 61.93	—	0.024 0.6	9	9.4	10	0.055
SAZP11Z	0.4375 11.11	0.562 14.27	0.812 20.62	0.437 11.1	1.125 28.58	7/16-20	2.125 53.98	1.375 34.93	2.688 68.28	—	0.024 0.6	11	11	13	0.078
SAZP12Z	0.5 12.7	0.625 15.88	0.937 23.81	0.5 12.7	1.312 33.32	1/2-20	2.438 61.93	1.5 38.1	3.094 78.59	—	0.024 0.6	9	15	19	0.12
SAZP15Z	0.625 15.88	0.75 19.05	1.125 28.58	0.562 14.27	1.5 38.1	5/8-18	2.625 66.68	1.625 41.28	3.375 85.73	0.717 18.2	0.024 0.6	11	20	21	0.18
SAZP19Z	0.75 19.05	0.875 22.23	1.312 33.32	0.687 17.45	1.75 44.45	3/4-16	2.875 73.03	1.75 44.45	3.75 95.25	0.823 20.9	0.024 0.6	10	29	29	0.29
SAZP25Z	1 25.4	1.375 34.93	1.875 47.63	1 25.4	2.75 69.85	1 1/4-12	4.125 104.78	2.125 53.98	5.5 139.7	1.335 33.9	0.024 0.6	14	60	101	1.1
SAZP25Z	1 25.4	1.375 34.93	1.875 47.63	1 25.4	2.75 69.85	1-14	4.125 104.78	2.125 53.98	5.5 139.7	1.335 33.9	0.024 0.6	14	60	101	1.1

For left-hand thread, suffix "L" is added to bearings number e.g. SALZP12Z

Rod End

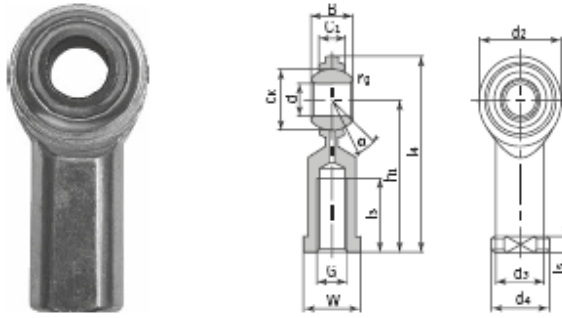


SIZP

Bearing Number	Dimensions (inch / mm)																Load Ratings kN		Weight ~kg
	d	B	dK	C1 Max	d2	G	h1	l3 Min	l4	l5	l7	W	d3	d4	rs Min	α° ≈	Dynamic	Static	
SIZP4Z	0.187 4.83	7.92 0.312	0.437 11.1	0.25 6.35	0.625 15.88	10-32	1.062 26.97	0.562 14.27	1.375 34.93	0.187 4.75	0.354 9	0.312 7.92	0.297 7.54	0.406 10.31	0.012 0.3	10	3.4	4.6	0.015
SIZP6Z	0.25 6.35	0.375 9.53	0.5 12.7	0.281 7.14	0.750 19.05	1/4-28	1.312 33.32	0.75 19.05	1.687 42.85	0.187 4.75	0.413 10.5	0.375 9.53	0.36 9.15	0.469 11.91	0.012 0.3	13	4.5	7.7	0.025
SIZP7Z	0.3125 7.94	0.437 11.1	0.625 15.88	0.344 8.74	0.875 22.23	5/16-24	1.375 34.93	0.750 19.05	1.812 46.02	0.187 4.75	0.461 11.7	0.437 11.1	0.422 10.72	0.5 12.7	0.012 0.3	10	6.9	8.4	0.036
SIZP9Z	0.375 9.53	0.5 12.7	0.719 18.26	0.406 10.31	1 25.4	3/8-24	1.625 41.28	0.937 23.81	2.125 53.98	0.25 6.35	0.484 12.3	14.27 0.562	0.547 13.89	17.45 0.687	0.024 0.6	9	9.4	10	0.061
SIZP11Z	0.437 11.1	0.562 14.27	0.812 20.62	0.437 11.1	1.125 28.58	7/16-20	1.812 46.02	1.062 26.97	2.375 60.33	0.25 6.35	0.551 14	0.625 15.88	0.61 15.49	0.750 19.05	0.024 0.6	11	11	13	0.081
SIZP12Z	0.5 12.7	0.625 15.88	0.937 23.81	0.5 12.7	1.312 33.32	1/2-20	2.125 53.98	1.187 30.15	2.781 70.64	0.25 6.35	0.638 16.2	0.750 19.05	0.735 18.67	0.875 22.23	0.024 0.6	9	15	19	0.133
SIZP15Z	0.625 15.88	0.750 19.05	1.125 28.58	0.562 14.27	1.5 38.1	5/8-18	2.5 63.5	1.5 38.1	3.25 82.55	0.312 7.92	0.717 18.2	0.875 22.23	0.86 21.84	1 25.4	0.024 0.6	11	20	21	0.19
SIZP19Z	0.750 19.05	0.875 22.23	1.312 33.32	0.687 17.45	1.75 44.45	3/4-16	2.875 73.03	1.75 44.45	3.75 95.25	0.312 7.92	0.823 20.9	1 25.4	0.985 25.02	1.125 28.58	0.024 0.6	10	29	29	0.285
SIZP25Z	1 25.4	1.375 34.93	1.875 47.63	1 25.4	2.75 69.85	1 1/4-12	4.125 104.78	2.125 53.98	5.5 139.7	0.437 11.1	1.303 33.1	1.5 38.1	1.485 37.72	1.75 44.45	0.024 0.6	14	60	101	1
SIZP25Z	1 25.4	1.375 34.93	1.875 47.63	1 25.4	2.75 69.85	1-14	4.125 104.78	2.125 53.98	5.5 139.7	0.437 11.1	1.303 33.1	1.5 38.1	1.485 37.72	1.75 44.45	0.024 0.6	14	60	101	1

For left-hand thread suffix "L" is added to bearings number. e.g. SILZP12S

Rod End

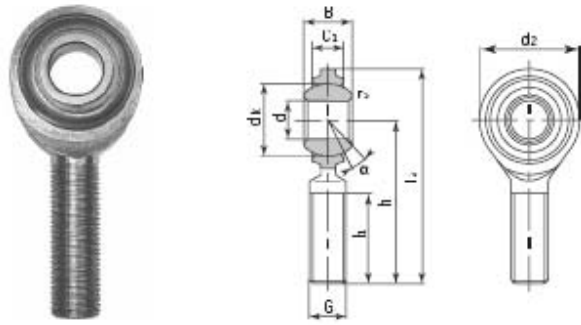


SIZJ

Bearing Number	Dimensions (inch / mm)															Load Ratings kN		Weight ~kg
	d	B	dK	C1 MAX	d2	G	h1	I3 Min	I4	I5	W	d3	d4	rs Min	α ^o ≈	Dynamic	Static	
SIZJ4	0.19 4.83	0.312 7.92	0.437 11.1	0.234 5.94	0.625 15.88	10-32	1.062 26.97	0.5 12.7	1.375 34.93	0.187 4.75	0.312 7.92	0.297 7.54	0.406 10.31	0.012 0.3	10	3.6	6.8	0.018
SIZJ6	0.25 6.35	0.375 9.53	0.5 12.7	0.25 6.35	0.75 19.05	1/4-28	1.312 33.32	0.625 15.88	1.687 42.85	0.187 4.75	0.375 9.53	0.36 9.15	0.469 11.91	0.012 0.3	13.5	5.4	9.6	0.023
SIZJ7	0.3125 7.94	0.437 11.1	0.625 15.88	0.312 7.92	0.875 22.23	5/16-24	1.375 34.93	0.625 15.88	1.812 46.02	0.187 4.75	0.437 11.1	0.422 10.72	0.5 12.7	0.012 0.3	11	8.5	12	0.036
SIZJ9	0.375 9.53	0.5 12.7	0.719 18.26	0.359 9.12	1 25.4	3/8-24	1.625 41.28	0.75 19.05	2.125 53.98	0.25 6.35	0.562 14.27	0.547 13.89	17.45 0.687	0.024 0.6	11	11	16	0.059
SIZJ11	0.4375 11.11	0.562 14.27	0.812 20.62	0.406 10.31	1.125 28.58	7/16-20	1.812 46.02	0.875 22.23	2.375 60.33	0.25 6.35	0.625 15.88	0.61 15.49	0.75 19.05	0.024 0.6	10.5	14	21	0.082
SIZJ12	0.5 12.7	0.625 15.88	0.937 23.81	0.453 11.5	1.312 33.32	1/2-20	2.125 53.98	1 25.4	2.781 70.64	0.25 6.35	0.75 19.05	0.735 18.67	0.875 22.23	0.024 0.6	10	18	28	0.132
SIZJ15	0.625 15.88	0.75 19.05	1.125 28.58	0.484 12.29	1.5 38.1	5/8-18	2.5 63.5	1.25 31.75	3.25 82.55	0.312 7.92	0.875 22.23	0.86 21.84	1 25.4	0.024 0.6	13	23	29	0.195
SIZJ19	0.75 19.05	0.875 22.23	1.312 33.32	0.593 15.06	1.75 44.45	3/4-16	2.875 73.03	1.375 34.93	3.75 95.25	0.312 7.92	1 25.4	0.985 25.02	1.125 28.58	0.024 0.6	12	34	44	0.295

For left-hand thread suffix "L" is added to bearings number SILZJ12.

Rod End



SAZJ

Bearing Number	Dimensions (inch / mm)											Load Ratings kN		Weight ~kg
	d	B	dK	C1 MAX	d2	G	h	l1 Min	l2	rs min	α° ≈	Dynamic	Static	
SAZJ4	0.19 4.83	0.312 7.92	0.437 11.1	0.234 5.94	0.625 15.88	10-32	1.25 31.75	0.75 19.05	1.563 39.7	0.012 0.3	10	3.6	3.8	0.014
SAZJ6	0.25 6.35	0.375 9.53	0.5 12.7	0.25 6.35	0.75 19.05	1/4-28	1.562 39.67	1 25.4	1.937 49.2	0.012 0.3	13.5	5.4	6.6	0.018
SAZJ7	0.3125 7.94	0.437 11.1	0.625 15.88	0.312 7.92	0.875 22.23	5/16-24	1.875 47.63	1.25 31.75	2.312 58.72	0.012 0.3	11	8.5	12	0.032
SAZJ9	0.375 9.53	0.5 12.7	0.719 18.26	0.359 9.12	1 25.4	3/8-24	1.938 49.23	1.25 31.75	2.438 61.93	0.024 0.6	11	11	16	0.05
SAZJ11	0.4375 11.11	0.562 14.27	0.812 20.62	0.406 10.31	1.125 28.58	7/16-20	2.125 53.98	1.375 34.93	2.688 68.28	0.024 0.6	10.5	14	21	0.068
SAZJ12	0.5 12.7	0.625 15.88	0.937 23.81	0.453 11.5	1.312 33.32	1/2-20	2.438 61.93	1.5 38.1	3.094 78.59	0.024 0.6	10	18	28	0.11
SAZJ15	0.625 15.88	0.75 19.05	1.125 28.58	0.484 12.29	1.5 38.1	5/8-18	2.625 66.68	1.625 41.28	3.375 85.73	0.024 0.6	13	23	29	0.16
SAZJ19	0.75 19.05	0.875 22.23	1.312 33.32	0.593 15.06	1.75 44.45	3/4-16	2.875 73.03	1.75 44.45	3.75 95.25	0.024 0.6	12	34	44	0.26

For left-hand thread suffix "L" is added to bearings number e.g. SALZJ12S.